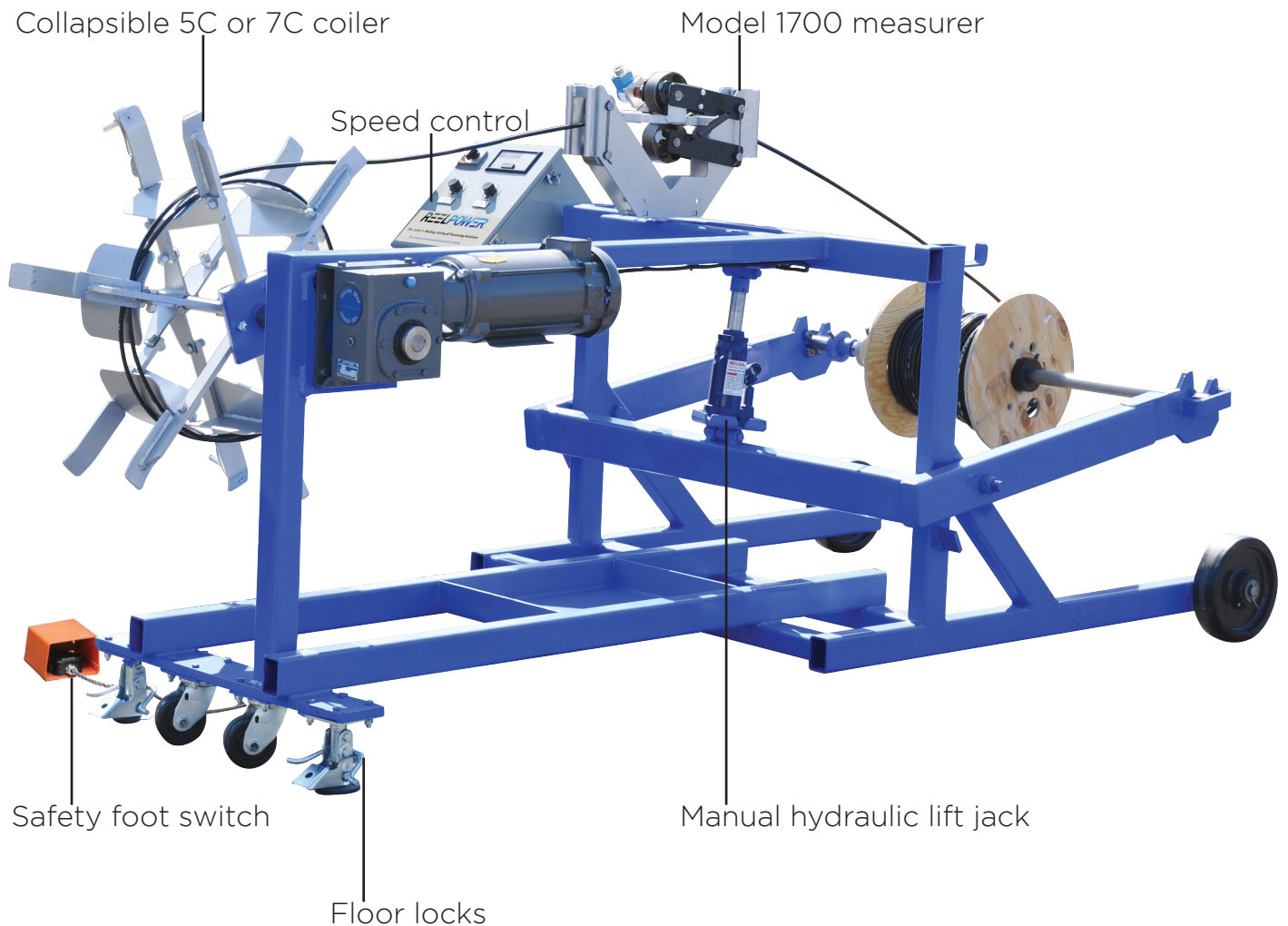


Mobile Reel-to-Coil Machine

1 Hp 0-70 RPM 120 VAC Standard

Optional 2 Hp and 3 Hp variable speed drives available
0-70 or 0-35 RPM 230 VAC single phase



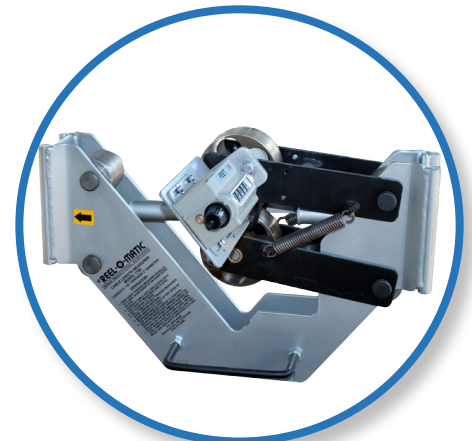
Mobile Reel-to-Coil Machine

Standard Specifications:

- 1 HP SCR variable speed drive, 0-70 RPM
- Pay-out capacity 20" to 48" dia. x 36" wide; 2,500 lbs
- ROM 1700 measurer - 1/8" to 2" dia. capacity
- 1 3/8" dia. reel shaft
- Bushings for 2", 2 1/2", and 3" arbor holes
- Heavy duty swivel casters (rear)
- 10" front wheels
- Model 5C or 7C collapsible coilers
- Floor locks
- Tool tray
- Tape storage box

Options:

- Electrolift
- Automatic levelwind
- Shaft attachment for small reels
- Coiler guards
- Coiler/shaft plug-in feature
- Manual shaftless feature
- Integral cutters
- Pay-out braking systems
- Large weight capacities
- Predetermined stop-to-length counters



Model 1700 measurer



Manual hydraulic lift jack



Pay-out brake