

NC-5-HD-HS



High Speed Servo Rotary Knife Cutter

5" Dia./ 4.5" x 7.5" cut capacity

Precision continuous Servo cutters provide best-in-class features for CUT ENERGY, ACCURACY and REPEATABILITY!

The Reel Power series high speed servo rotary knife cutters have many standard features that are options on most ordinary units yet have a comparable price point to "stripped down" models.



Easy to Set-Up, Use and Maintain!

PLC with 7" high resolution color touch screen control makes set-up, recipe management and line control easier than ever!

Powerful Siemens Servo Motor and Drive

Offers greater repeat accuracy and reliability with less maintenance than others.

Continuous Mode Only

Motor and gearbox for high speed cutting

Siemens 7" High Resolution Color Touch Screen PLC

- Recipe management for different cut lengths
- Timer
- Totalizer
- Line rate indication
- Data logging

User Interface

Provides easy access to operate, utilizing the encoder in continuous mode..

Safety Interlock

Integrated safety for Cat4/SIL3/PLe.



Plus:

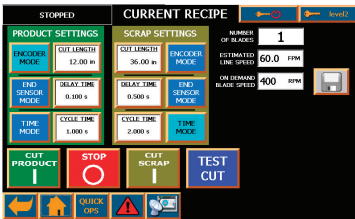
- SS blade holder and reservoir plus blade wipe
- Ethernet capable
- Standard voltage 480/3/60
- Output for box change or end-of-run signal
- CRS steel busings
- Lowest cost of ownership
- Encoder included
- Indicator lights for machine status

NC-5-HD-HS



High Speed Servo Rotary Knife Cutter

Standard Features



Industrial strength Siemens PLC touch screen control, standard.

Standard built-in features include:

- Optical or mechanical cut signal input





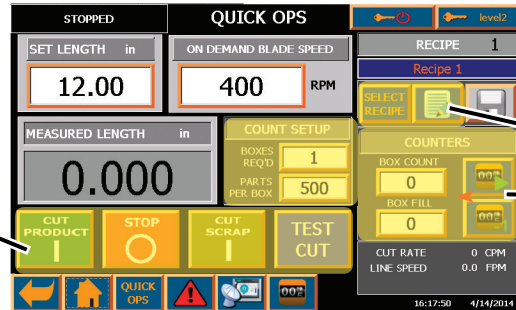
High Speed Servo Rotary Knife Cutter

Siemens Color Touch Screen PLC Control Equals Convenience and Reliability

QUICK OPS SCREEN

View real-time performance of cutter

Touch buttons to CUT PRODUCT, STOP, CUT SCRAP or TEST CUT



Select/edit recipe to be cut
Piece & Box Count

HOME SCREEN

Access to all cutter functions

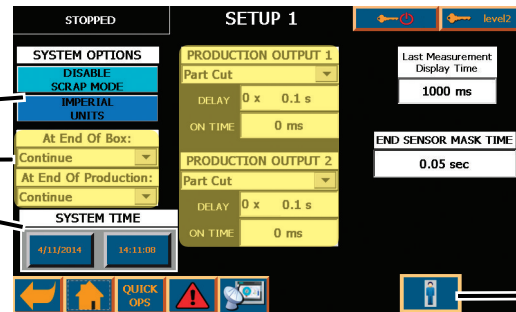
Access to QUICK-OPS screen
Opens RECIPE SELECT screen
Access to SETUP page 1



SETUP 1

Access to SETUP screens

Choose ENGLISH or METRIC units
Set PRODUCTION OUTPUTS
Set correct TIME & DATE



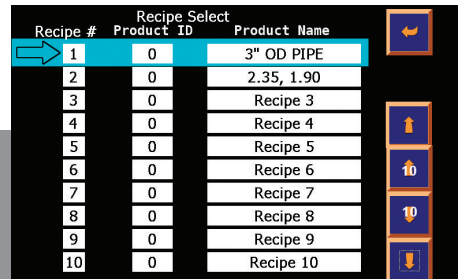
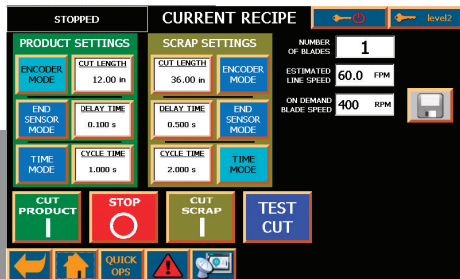
Set USER NAMES & PASSWORDS

RECIPE SELECT

Store and recall up to 30 recipes

Set all parameters for any product and save it to list of recipes

Press any field to select recipe or to edit or enter a recipe using the alpha-numeric pop-up screen



NC-5-HD-HS



High Speed Servo Rotary Knife Cutter

Specifications:

Model Number	NC-5-HD-HS (HIGH SPEED)
Bushing diameter	5"
Maximum profile	4.5" x 7.5" / 5" dia.
Power - Hp	11.6
Maximum continuous cuts (2 blades)	2300*
Maximum peak torque (in/lb)	4550
Cutter Head	16" dia. x 1" Flywheel
Bushing discharge location	Above flywheel center

*Single strand

Accessories:

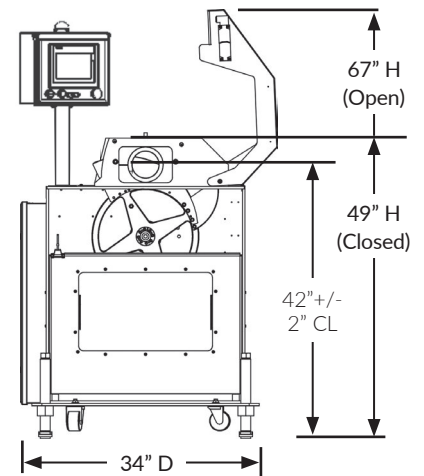
- Remote touch screen control at extruder
- Bracket system to interface cutter and puller
- Common power plug

Options:

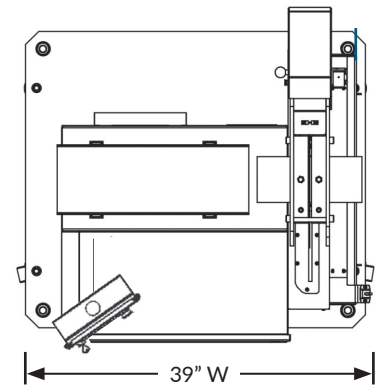
- Left to right operational direction
- Cutter stack light/audible alarm
- Stainless steel bushing holder
- Kit, Bushing holder, Rectangular

Dimensions:

NC-5-HD-HS



Side View



Top View