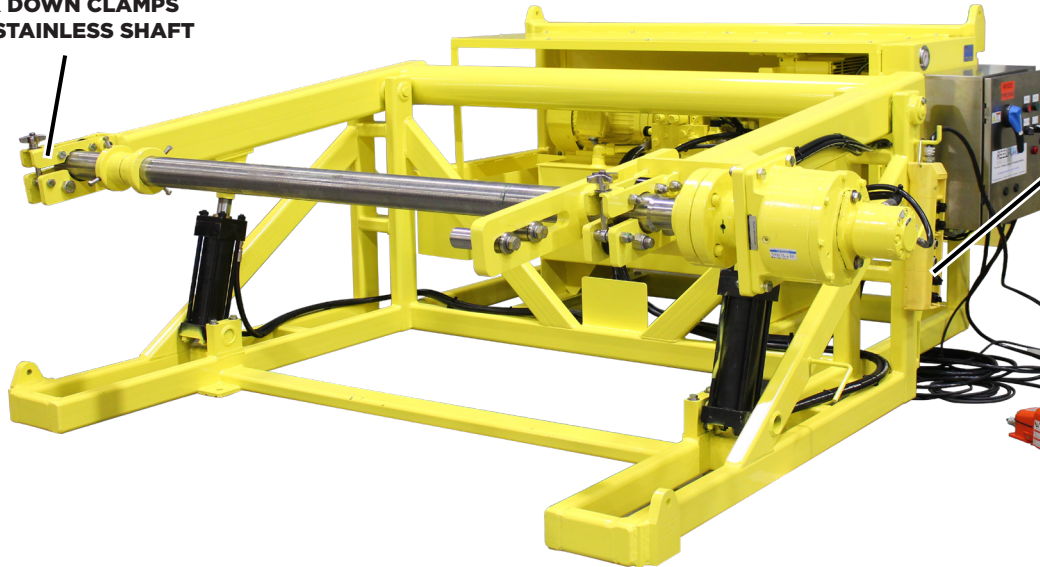


# TU-15

## Stainless Steel "Shafted" Take Up

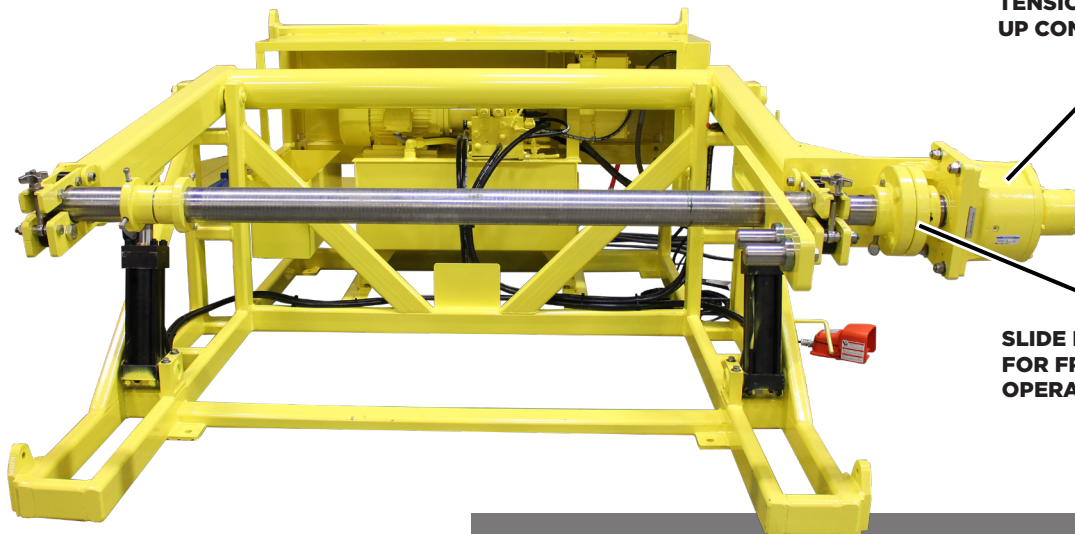
**LOCK DOWN CLAMPS  
FOR STAINLESS SHAFT**



**HAND HELD CONTROL  
PENDANT FOR  
OPERATOR EASE**

**FOOT PEDAL ACTIVATED  
TAKE UP CONTROL**

**HYDRAULIC DRIVE  
TENSION PAY OUT/ TAKE  
UP CONTROL**

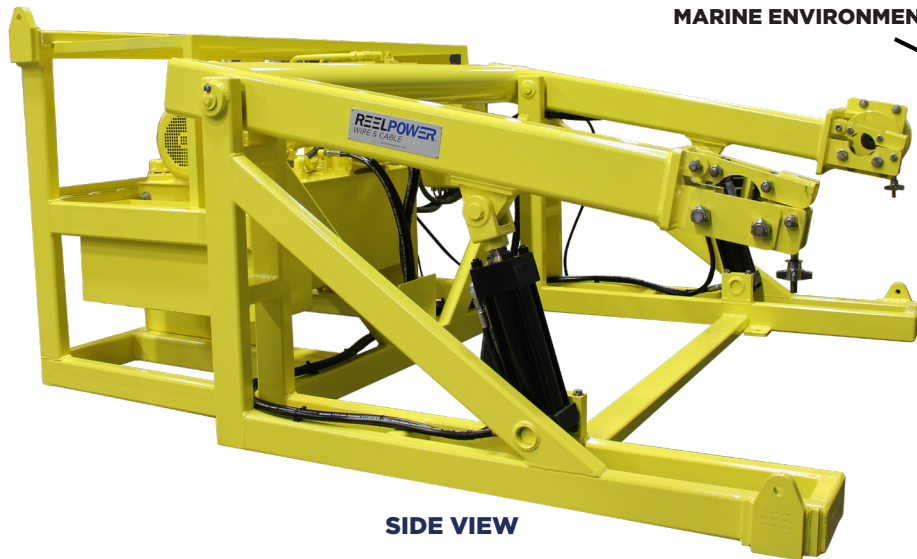


**SLIDE DRIVE SYSTEM  
FOR FREE WHEEL  
OPERATION**

Standard system developed to provide tension controlled pay out and take up operations. Capable of 1,000 lbs of line tension at a 42 inch radius and line speeds of 50 feet per minute base on a 48 inch drum diameter. Custom systems built for your application.

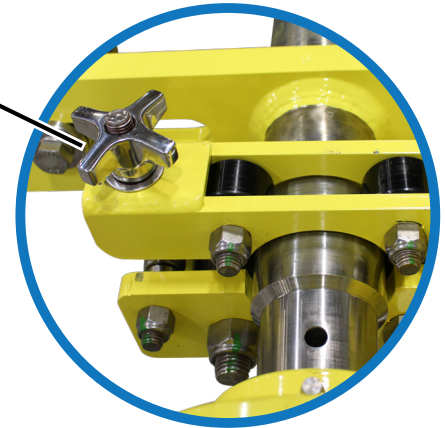
# TU-15

## Stainless Steel “Shafted” Take Up



SIDE VIEW

ALL STAINLESS STEEL  
HARDWARE FOR  
MARINE ENVIRONMENT



SHAFT IS CRADLED WITH  
BEARINGS AND SAFETY LATCH



OPERATOR SAFETY FOOT PEDAL

### Standard Features

- Structural steel HD design
- Stainless steel shaft
- Stainless steel hardware
- Handles up to 84” maximum dia. reels
- Up to 60” reel width
- 15,000 lbs weight capacity
- Lifting eyes
- 10 HP motor

### Take-Up Options

- Custom sizes available on request
- Colors as needed
- Wireless remote
- Safety systems